

ÜRÜN ADI / PRODUCT

PS 66 DE

TARİH / DATE

13.08.2018

DETAY RESİM  
DETAIL PICTURE

SAYFA NO: 1 / 4  
PAGE NO.: 1 / 4

PS 66 DE



<b>Dış Ölçüler</b>	840 x 1068 x 825 mm.	<b>Outside Dim.</b>	840 x 1068 x 825 mm.
<b>İç Ölçüler</b>	2 x 620 x 920 x 150 mm.	<b>Inside Dim.</b>	2 x 620 x 920 x 150 mm.
<b>Pişirme Alanı</b>	2 x 6 ad. Ø 30 cm.	<b>Baking Arena</b>	2 x 6 pcs. Ø 33 cm.
<b>Pişirme Taşı Ölçüleri</b>	2 x 915 x 610 x 17 mm.	<b>Baking Stone Dim.</b>	2 x 915 x 610 x 17 mm.
<b>Termostat Aralığı (°C)</b>	85 - 455 °C ( 4 ad. Bağımsız )	<b>Thermostat Interval (°C)</b>	85 - 455 °C (4 pcs. Independent)
<b>Aydınlatma</b>	2 ad. 25 W.	<b>Illumination</b>	2 pcs. 25 W.
<b>Toplam Elektrik Gücü (kW)</b>	8 x 1,5 kW = 12 kW.	<b>Total Power (kW)</b>	8 x 1,5 kW = 12 kW.
<b>Elektrik Bes. Gerilimi (V/A)</b>	400 V 3F+N / 3 x 32 A.	<b>Power Supply Voltage (V/A)</b>	400 V 3F+N / 3 x 32 A.
<b>Besleme Kablosu</b>	5 x 4 H07RN-F	<b>Power Supply Cable</b>	5 x 4 H07RN-F
<b>İç Tesisat Kabloları</b>	SİAF 2,5 mm <sup>2</sup>	<b>Internal Cable</b>	SİAF 2,5 mm <sup>2</sup>
<b>İzolasyon</b>	Taş Yünü	<b>Insulation</b>	Rock Wool
<b>Ağırlık</b>	185 kg.	<b>Weight</b>	185 kg.

NO.	AÇIKLAMA	DESCRIPTION	ÜRÜN NO. / ITEM NO	ADET / PCS.
1A	GÖVDE	MAIN BODY	PS66DE-01A	1
1B	TABAN	BASE	PS66DE-01B	1
2	YAN KAPAK	SIDE COVER	PS66DE-02	2
3	ÖN PASLANMAZ	FRONT STAINLESS	PS66DE-03	1
4	ÖN ÇERÇEVE	FRONT FRAME	PS66DE-04	1
5	ÖN KAPAK	OVEN FRONT COVER	PS66DE-05	2
5A	CAM TUTUCU	GLASS HOLDER	PS66DE-05A	4
5B	GÖZETLEME CAMI	SIGHT GLASS	PS66DE-05B	2
5C	BAKALİT	BAKELITE	PS66DE-05C	4
6	PIŞİRME KAZANI	COOKING BOILER	PS66DE-06	2
7	PIŞİRME TAŞI	COOKING STONE	PS66DE-07	2
8	BESLEME KABLOSU	FEEDING CABLE	PS66DE-08	1
9	RAKOR	FEEDING CABLE SOCKET	PS66DE-09	1
10	LAMBA	INTERIOR LIGHTING LAMP	PS66DE-10	2
10A	DUY	SOCKET	PS66DE-10A	2
10B	AMPÜL	LAMP	PS66DE-10B	2
10C	LAMBA CAMI	LAMP GLASS	PS66DE-10C	2
11	ELEKTRİK MONTAJ PANOSU	ELECTRICAL MOUNTING PANEL	PS66DE-11	1
12	PANEL	PANEL	PS66DE-12	1
13	İÇ AYDINLATMA ANAHTARI	INTERIOR LIGHTING BUTTON	PS66DE-13	2
14	İÇ AYDINLATMA ANAHTARI KORUMASI	INTERIOR LIGHTING BUTTON PROTECTION	PS66DE-14	2
15	TERMOSTAT KONTROL LAMBASI	THERMOSTAT CONTROL LAMP	PS66DE-15	4
16	TERMOSTAT DÜĞMESİ	THERMOSTAT BUTTON	PS66DE-16	4
17	TERMOSTAT	THERMOSTAT	PS66DE-17	4
18	REZİSTANS	RESISTANCE	PS66DE-18	8
19	KAPAK STOP KAUCUĞU	COVER STOP RUBBER	PS66DE-19	2
20	İZOLASYON	INSULATION	PS66DE-20	1
21	FİRİN AYAK	OVEN FOOT	PS66DE-21	5
22	İKİ FAZLI PAKO ŞALTER	TWO PHASE INTERRUPTION SWITCH	PS66DE-22	2
23	TERMOMETRE	THERMOMETER	PS66DE-23	2



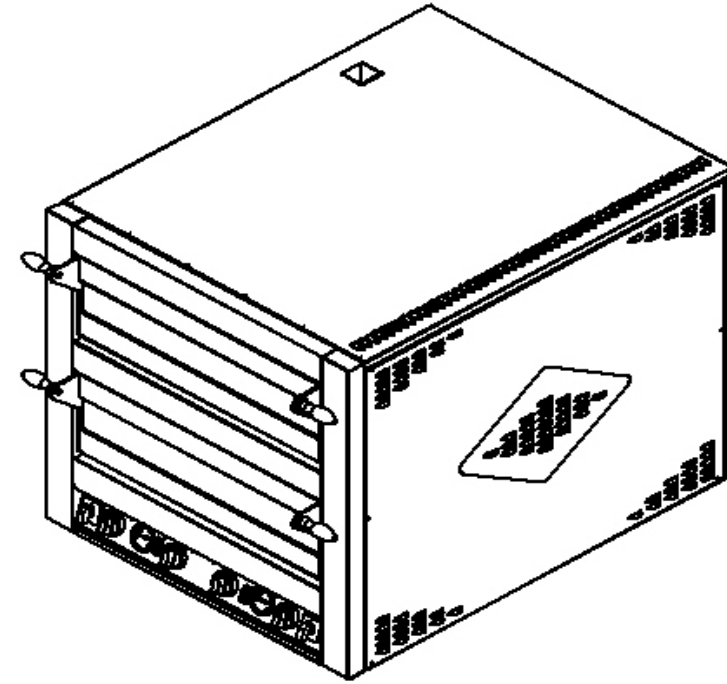
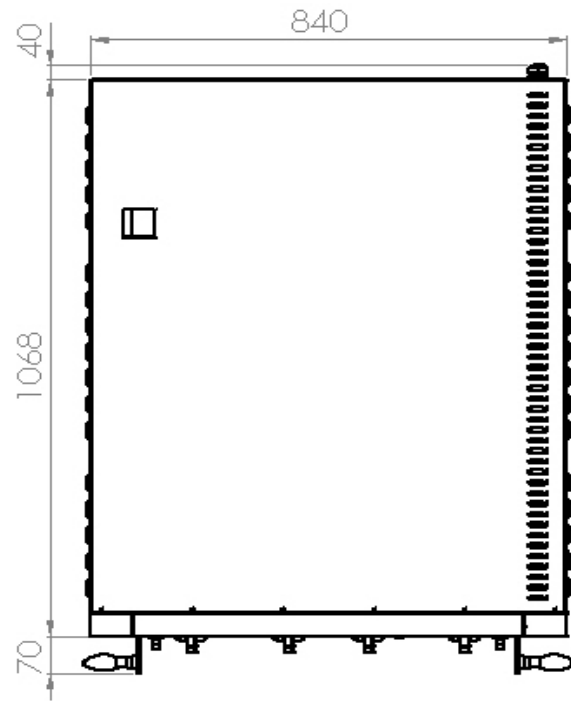
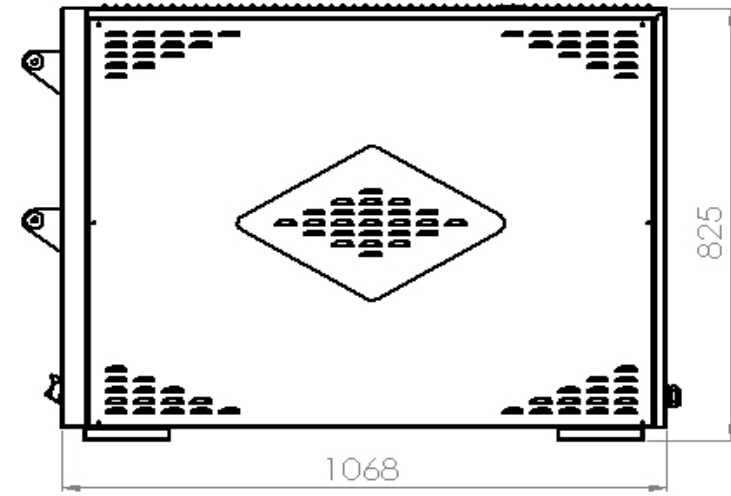
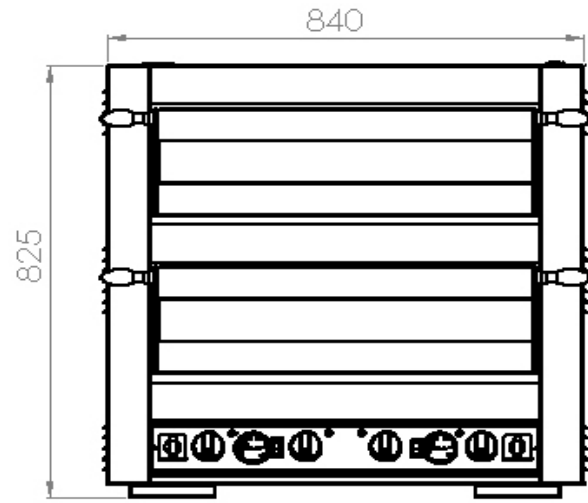
ÜRÜN ADI / PRODUCT

PS 66 DE

TARİH / DATE

13.08.2018

DETAY RESİM LİSTESİ  
DETAIL PICTURE LISTSAYFA NO: 2 / 4  
PAGE NO.: 2 / 4



ÜRÜN ADI / PRODUCT

PS 66 DE

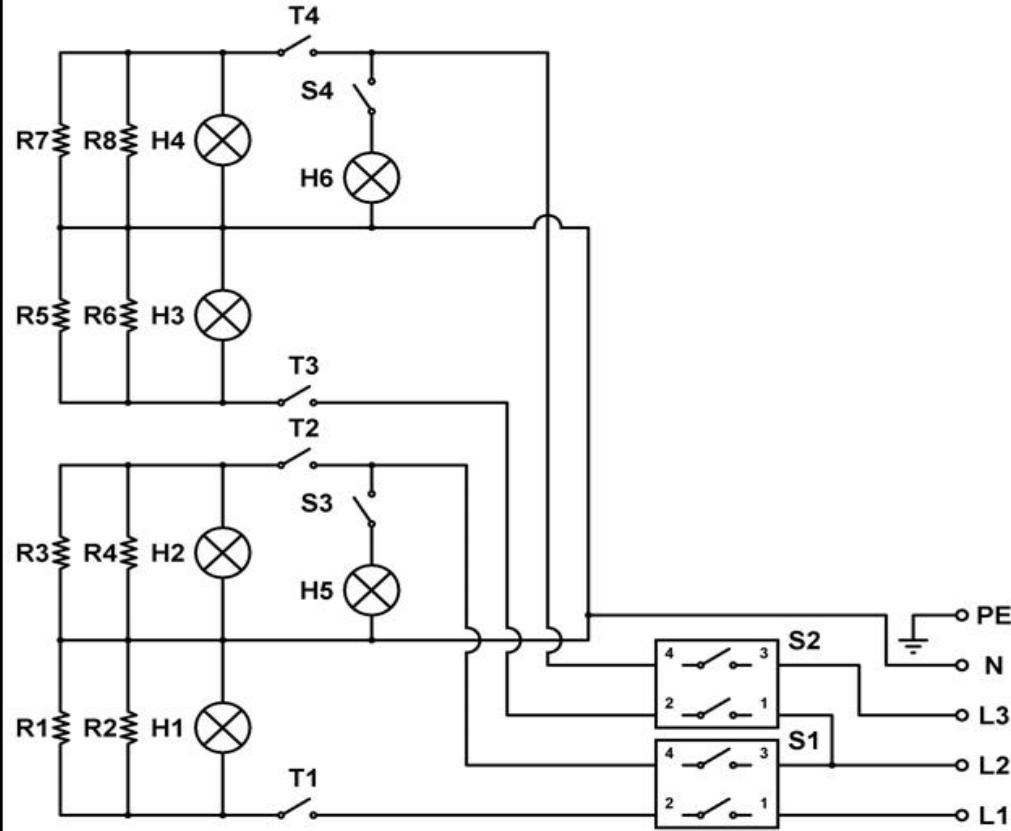
TARİH / DATE

13.08.2018

ÖLÇÜLENDİRME  
MEASUREMENTS

SAYFA NO: 3 / 4  
PAGE NO.: 3 / 4

PS 66 DE PİZZA FIRINI - ELEKTRİK ŞEMASI  
PS 66 DE PIZZA OVEN - ELECTRICAL DIAGRAM



NO	AÇIKLAMA / DESCRIPTION	NO	AÇIKLAMA / DESCRIPTION
R1....R8	Rezistans / Resistance ( 1500 W )	T1 - T2 - T3 - T4	Termostat / Thermostat ( 85 - 455 °C )
H1 - H2	Termostat Kontrol Lambası Thermostat Control Lamp	S1 - S2	İki Fazlı Pako Şalter Two Phase Interruption Switch
H3	İç Aydınlatma Lambası Interior Lighting Lamp ( 25W )	S3 - S4	Aydınlatma Anahtarı Lighting Switch ( T125 16A )



ÜRÜN ADI / PRODUCT

PS 66 DE

TARİH / DATE

13.08.2018

ELEKTRİK ŞEMASI  
ELECTRICAL DIAGRAM

SAYFA NO: 4 / 4  
PAGE NO.: 4 / 4