

PG 44 DE		Dış Ölçüler	1000 x 910 x 800 mm.	Outside Dim.	1000 x 910 x 800 mm.
		İç Ölçüler	2 x 670 x 680 x 150 mm.	Inside Dim.	2 x 670 x 680 x 150 mm.
		Pişirme Alanı	2 x 4 ad. Ø 33 cm.	Baking Arena	2 x 4 pcs. Ø 33 cm.
		Pişirme Taşı Ölçüleri	8 x 695 x 345 x 14 mm.	Baking Stone Dim.	8 x 695 x 345 x 14 mm.
			2 x 695 x 140 x 14 mm.		2 x 695 x 140 x 14 mm.
			2 x 660 x 140 x 14 mm.		2 x 660 x 140 x 14 mm.
			2 x 295 x 140 x 14 mm.		2 x 295 x 140 x 14 mm.
			2 x 150 x 140 x 14 mm.		2 x 150 x 140 x 14 mm.
		Termostat Aralığı (°C)	85 - 455 °C (4 ad. Bağımsız)	Thermostat Interval (°C)	85 - 455 °C (4 pcs. Independent)
		Aydınlatma	2 ad. 25 W.	Illumination	2 pcs. 25 W.
		Toplam Elektrik Gücü (kW)	8 x 1,25 kW = 10 kW.	Total Power (kW)	8 x 1,25 kW = 10 kW.
		Elektrik Besleme Gerilimi (V/A)	400 V 3F+N / 3 x 27 A.	Power Supply Voltage (V/A)	400 V 3F+N / 3 x 27 A.
		Besleme Kablosu	5 x 4 H07RN-F	Power Supply Cable	5 x 4 H07RN-F
		İç Tesizat Kabloları	SIAF 2,5 mm ²	Internal Cable	SIAF 2,5 mm ²
İzolasyon	Taş Yünü	Insulation	Rock Wool		
Ağırlık	188 kg.	Weight	188 kg.		

NO.	AÇIKLAMA	DESCRIPTION	ÜRÜN NO. / ITEM NO	ADET / PCS.
1A	GÖVDE ÜST	UPPER BODY	PG44DE-01A	1
1B	GÖVDE ARKA	REAR BODY	PG44DE-01B	1
1C	TABAN	BASE	PG44DE-01C	1
2	YAN KAPAK	SIDE COVER	PG44DE-02	4
3	ÖN PASLANMAZ	FRONT STAINLESS	PG44DE-03	1
4	ÖN ÇERÇEVE	FRONT FRAME	PG44DE-04	1
5	FIRIN ÖN KAPAK	OVEN FRONT COVER	PG44DE-05	2
5A	CAM TUTUCU	GLASS HOLDER	PG44DE-05A	4
5B	GÖZETLEME CAMI	SIGHT GLASS	PG44DE-05B	2
5C	BAKALİT	BAKELITE	PG44DE-05C	4
6	PİŞİRME KAZANI	COOKING BOILER	PG44DE-06	2
7A	KAZAN ALT VE ÜST TAŞ	BOILER SUB AND TOP STONE	PG44DE-07A	8
7B	KAZAN ARKA TAŞ	BOILER BACK STONE	PG44DE-07B	2
7C	KAZAN SAĞ ÖN TAŞ	BOILER RIGHT FRONT STONE	PG44DE-07C	2
7D	KAZAN SAĞ ARKA TAŞ	BOILER RIGHT BACK STONE	PG44DE-07D	2
7E	KAZAN SOL TAŞ	BOILER LEFT STONE	PG44DE-07E	2
8	BESLEME KABLOSU	FEEDING CABLE	PG44DE-08	1
9	RAKOR	FEEDING CABLE SOCKET	PG44DE-09	1
10	İÇ AYDINLATMA LAMBASI	INTERIOR LIGHTING LAMP	PG44DE-10	2
10A	DUY	SOCKET	PG44DE-10A	2
10B	AMPÜL	LAMP	PG44DE-10B	2
10C	LAMBA CAMI	LAMP GLASS	PG44DE-10C	2
11	ELEKTRİK MONTAJ PANOSU	ELECTRICAL MOUNTING PANEL	PG44DE-11	1
12	PANEL	PANEL	PG44DE-12	1
13	İÇ AYDINLATMA ANAHTARI	INTERIOR LIGHTING BUTTON	PG44DE-13	2
14	İÇ AYDINLATMA ANAHTARI KORUMASI	INTERIOR LIGHTING BUTTON PROTECTION	PG44DE-14	2
15	TERMOSTAT KONTROL LAMBASI	THERMOSTAT CONTROL LAMP	PG44DE-15	4
16	TERMOSTAT DÜĞMESİ	THERMOSTAT BUTTON	PG44DE-16	4
17	TERMOSTAT	THERMOSTAT	PG44DE-17	4
18	REZİSTANS	RESISTANCE	PG44DE-18	8
19	KAPAK STOP KAUCUĞU	COVER STOP RUBBER	PG44DE-19	2
20	İZOLASYON	INSULATION	PG44DE-20	1
21	FIRIN AYAK	OVEN FOOT	PG44DE-21	4
22	İKİ FAZLI PAKO ŞALTER	TWO PHASE INTERRUPTION SWITCH	PG44DE-22	2
23	KONTAKTÖR	CONTACTOR	PG44DE-23	2
24	TERMOMETRE	THERMOMETER	PG44DE-24	2



ÜRÜN ADI / PRODUCT

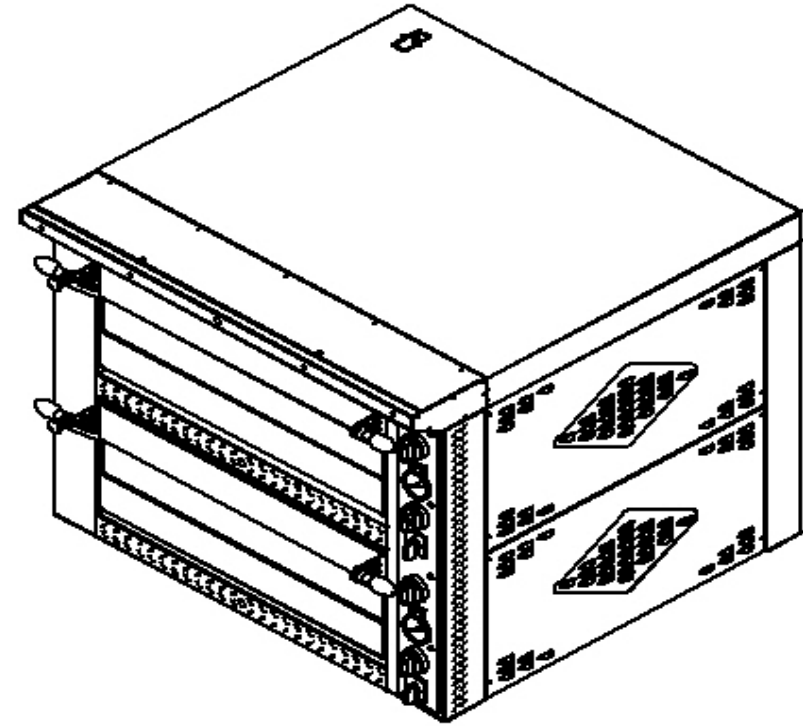
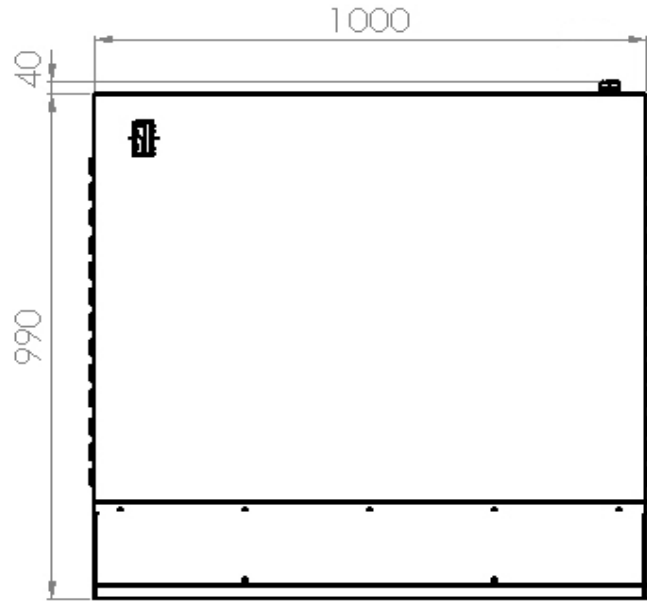
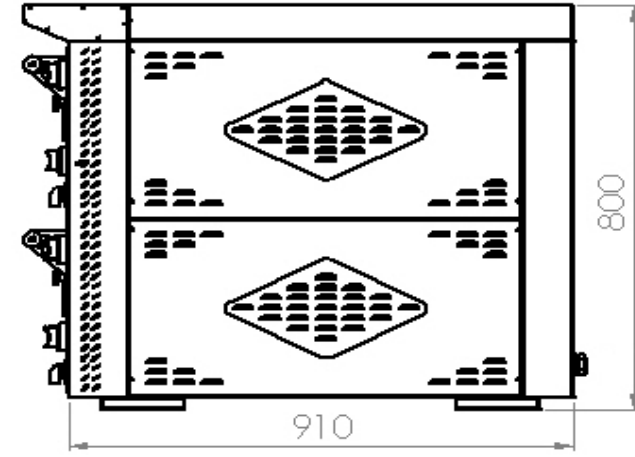
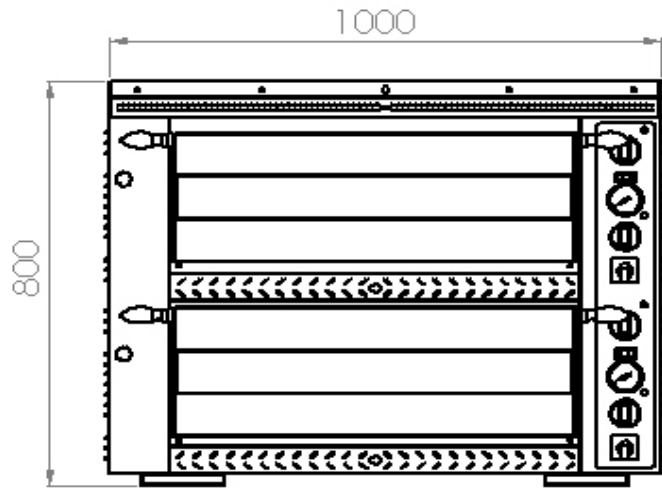
PG 44 DE

TARİH / DATE

11.08.2018

DETAY RESİM LİSTESİ
DETAIL PICTURE LIST

SAYFA NO: 2 / 4
PAGE NO.: 2 / 4



ÜRÜN ADI / PRODUCT

PG 44 DE

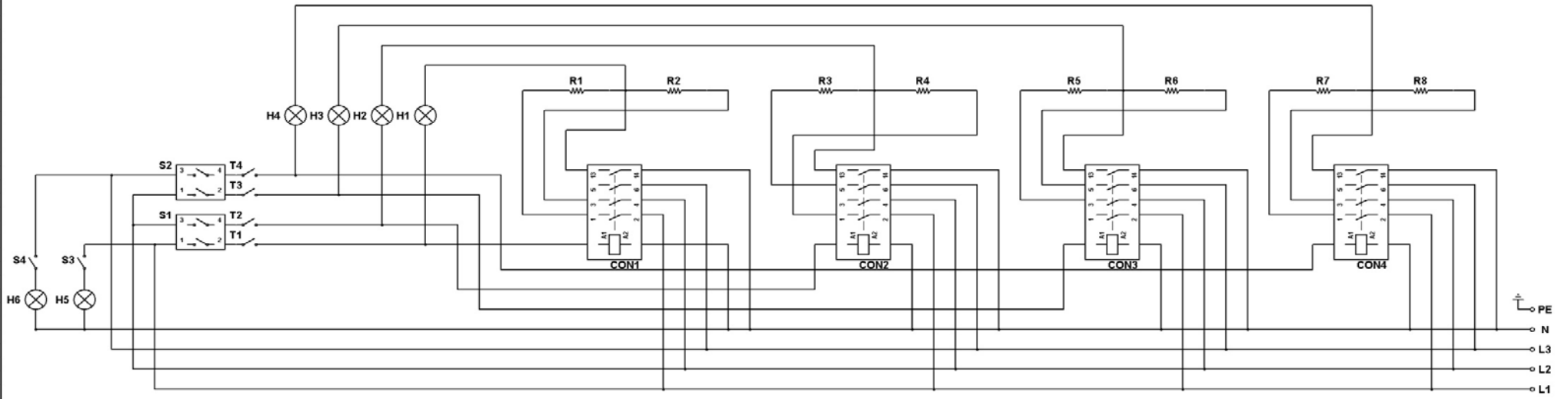
TARİH / DATE

11.08.2018

ÖLÇÜLENDİRME
MEASUREMENTS

SAYFA NO: 3 / 4
PAGE NO.: 3 / 4

PG 44 DE PİZZA FIRINI - ELEKTRİK ŞEMASI
PG 44 DE PIZZA OVEN - ELECTRICAL DIAGRAM



NO	AÇIKLAMA / DESCRIPTION	NO	AÇIKLAMA / DESCRIPTION	NO	AÇIKLAMA / DESCRIPTION	NO	AÇIKLAMA / DESCRIPTION	NO	AÇIKLAMA / DESCRIPTION	NO	AÇIKLAMA / DESCRIPTION	NO	AÇIKLAMA / DESCRIPTION
R1 ... R8	Rezistans / Resistance (1250 W)	T1 - T2 - T3 - T4	Termostat / Thermostat (85 - 455 °C)	H1 - H2 - H3 - H4	Termostat Kontrol Lambası Thermostat Control Lamp	S1 - S2	İki Fazlı Pako Şalter Two Phase Interruption Switch	H5 - H6	İç Aydınlatma Lambası Interior Lighting Lamp (25W)	S3 - S4	Aydınlatma Anahtarı Lighting Switch (T125 16A)	CON1 ... CON4	Kontaktör / Contactor



ÜRÜN ADI / PRODUCT

PG 44 DE

TARİH / DATE

11.08.2018

ELEKTRİK ŞEMASI
ELECTRICAL DIAGRAM

SAYFA NO: 4 / 4
PAGE NO.: 4 / 4