

ÜRÜN ADI / PRODUCT

PF 7070 DE

TARİH / DATE

13.08.2018

DETAY RESİM
DETAIL PICTURE

SAYFA NO: 1 / 4
PAGE NO.: 1 / 4

PF 7070 DE



Dış Ölçüler	972 x 819 x 765 mm.	Outside Dim.	972 x 819 x 765 mm.
İç Ölçüler	2 x 700 x 700 x 150 mm.	Inside Dim.	2 x 700 x 700 x 150 mm.
Pişirme Alanı	2 x 4 ad. Ø 34 cm.	Baking Arena	2 x 4 pcs. Ø 34 cm.
Pişirme Taşı Ölçüleri	4 x 695 x 345 x 17 mm.	Baking Stone Dim.	4 x 695 x 345 x 17 mm.
Termostat Aralığı (°C)	85 - 455 °C (4 ad. Bağımsız)	Thermostat Interval (°C)	85 - 455 °C (4 pcs. Independent)
Aydınlatma	2 ad. 25 W.	Illumination	2 pcs. 25 W.
Toplam Elektrik Gücü (kW)	8 x 1,25 kW = 10 kW.	Total Power (kW)	8 x 1,25 kW = 10 kW.
Elektrik Bes. Gerilimi (V/A)	400 V 3F+N / 3 x 27 A.	Power Supply Voltage (V/A)	400 V 3F+N / 3 x 27 A.
Besleme Kablosu	5 x 4 H07RN-F	Power Supply Cable	5 x 4 H07RN-F
İç Tesisat Kabloları	SIAF 2,5 mm ²	Internal Cable	SIAF 2,5 mm ²
İzolasyon	Taş Yünü	Insulation	Rock Wool
Ağırlık	155 kg.	Weight	155 kg.

NO.	AÇIKLAMA	DESCRIPTION	ÜRÜN NO. / ITEM NO	ADET / PCS.
1	GÖVDE	MAIN BODY	PF7070DE-01	1
2	YAN KAPAK	SIDE COVER	PF7070DE-02	2
3	ÖN PASLANMAZ ÇERÇEVE	FRONT STAINLESS FRAME	PF7070DE-03	1
4	EMAYE ÇERÇEVE	ENAMEL FRAME	PF7070DE-04	2
5	FIRIN ÖN KAPAK	OVEN FRONT COVER	PF7070DE-05	2
5A	M8 İMBUS CİVATA	M8 İMBUS PIN BOLT	PF7070DE-05A	4
5B	EMAYE KAPAK	ENAMEL COVER	PF7070DE-05B	2
5C	KAPAK İZOLASYONU	COVER ISOLATION	PF7070DE-05C	2
5D	GÖZETLEME CAMI	SIGHT GLASS	PF7070DE-05D	2
5E	PASLANMAZ KAPAK	STAINLESS COVER	PF7070DE-05E	2
5F	BAKALİT	BAKELITE	PF7070DE-05F	4
5G	ALÜMİNYUM KOL	ALUMINUM ARM	PF7070DE-05G	2
6	PİŞİRME KAZANI	COOKING BOILER	PF7070DE-06	2
7	PİŞİRME TAŞI	COOKING STONE	PF7070DE-07	4
8	BESLEME KABLOSU	FEEDING CABLE	PF7070DE-08	1
9	RAKOR	FEEDING CABLE SOCKET	PF7070DE-09	1
10	İÇ AYDINLATMA LAMBASI	INTERIOR LIGHTING LAMP	PF7070DE-10	2
10A	DUY	SOCKET	PF7070DE-10A	2
10B	AMPÜL	LAMP	PF7070DE-10B	2
10C	LAMBA CAMI	LAMP GLASS	PF7070DE-10C	2
11	ELEKTRİK MONTAJ PANOSU	ELECTRICAL MOUNTING PANEL	PF7070DE-11	1
12	PANEL	PANEL	PF7070DE-12	1
13	İÇ AYDINLATMA ANAHTARI	INTERIOR LIGHTING BUTTON	PF7070DE-13	2
14	İÇ AYDINLATMA ANAHTARI KORUMASI	INTERIOR LIGHTING BUTTON PROTECTION	PF7070DE-14	2
15	TERMOSTAT KONTROL LAMBASI	THERMOSTAT CONTROL LAMP	PF7070DE-15	4
16	TERMOSTAT DÜĞMESİ	THERMOSTAT BUTTON	PF7070DE-16	4
17	TERMOSTAT	THERMOSTAT	PF7070DE-17	4
18	REZİSTANS	RESISTANCE	PF7070DE-18	8
19	M6 KÖR SOMUN	M6 BLIND NUT	PF7070DE-19	4
20	M6 DÜZ RONDELA	M6 FLAT WASHER	PF7070DE-20	4
21	M6 YAYLI RONDELA	M6 SPRING WASHER	PF7070DE-21	4
22	M6 İMBUS CİVATA	M6 İMBUS PIN BLOT	PF7070DE-22	8
23	İZOLASYON	INSULATION	PF7070DE-23	1
24	FIRIN AYAK	OVEN FOOT	PF7070DE-24	4
25	İKİ FAZLI PAKO ŞALTER	TWO PHASE INTERRUPTION SWITCH	PF7070DE-25	2
26	TERMOMETRE (PF 7070 DE - T MODELİ İÇİN)	THERMOMETER (ONLY WITH PF 7070 DE - T)	PF7070DE-26	2



ÜRÜN ADI / PRODUCT

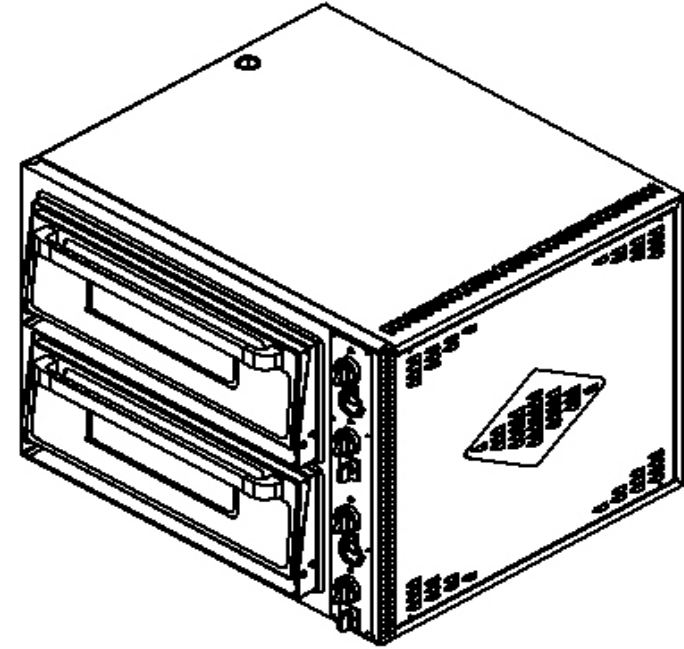
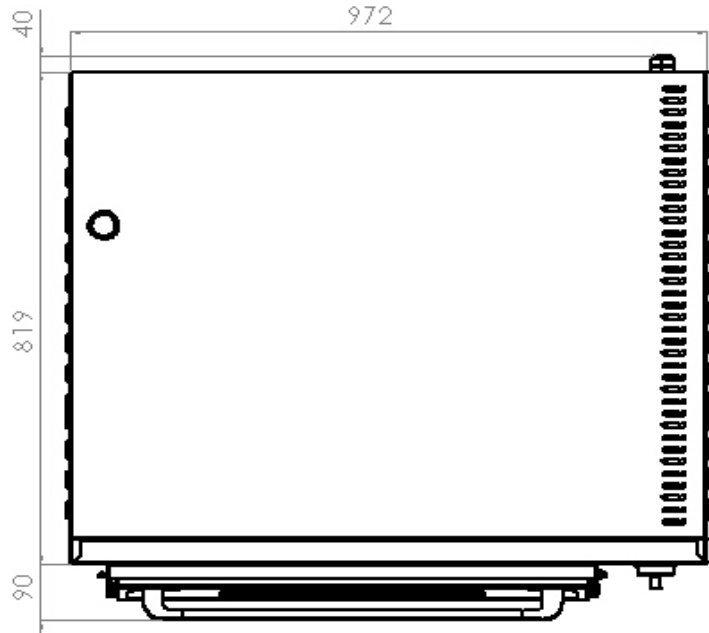
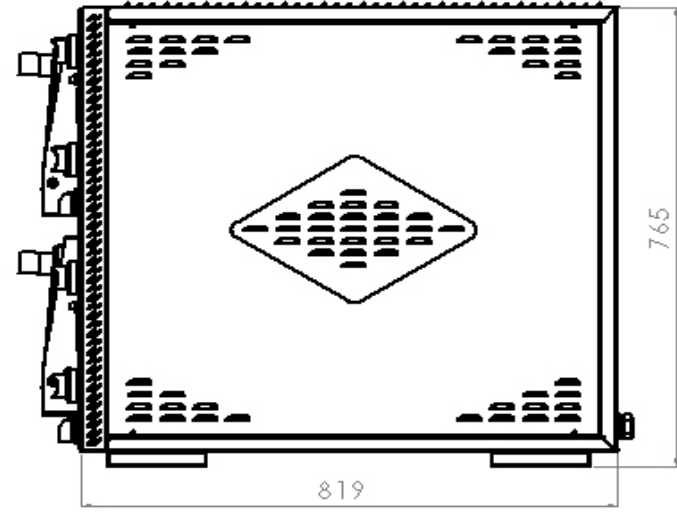
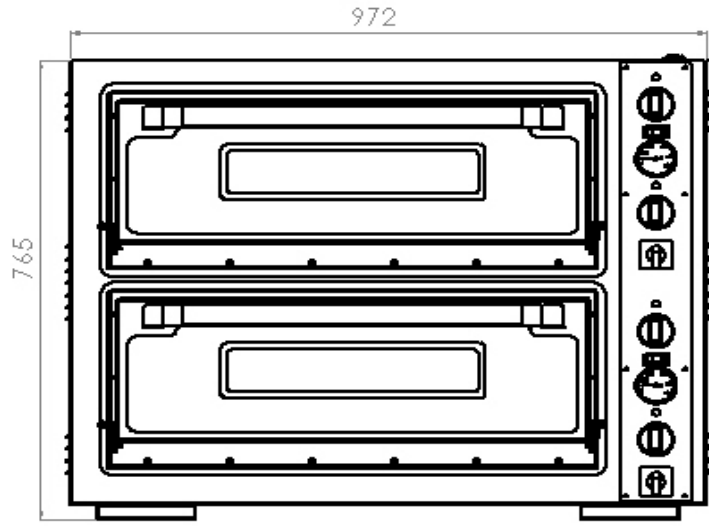
TARİH / DATE

DETAY RESİM LİSTESİ
DETAIL PICTURE LIST

PF 7070 DE

13.08.2018

SAYFA NO: 2 / 4
PAGE NO.: 2 / 4



ÜRÜN ADI / PRODUCT

PF 7070 DE

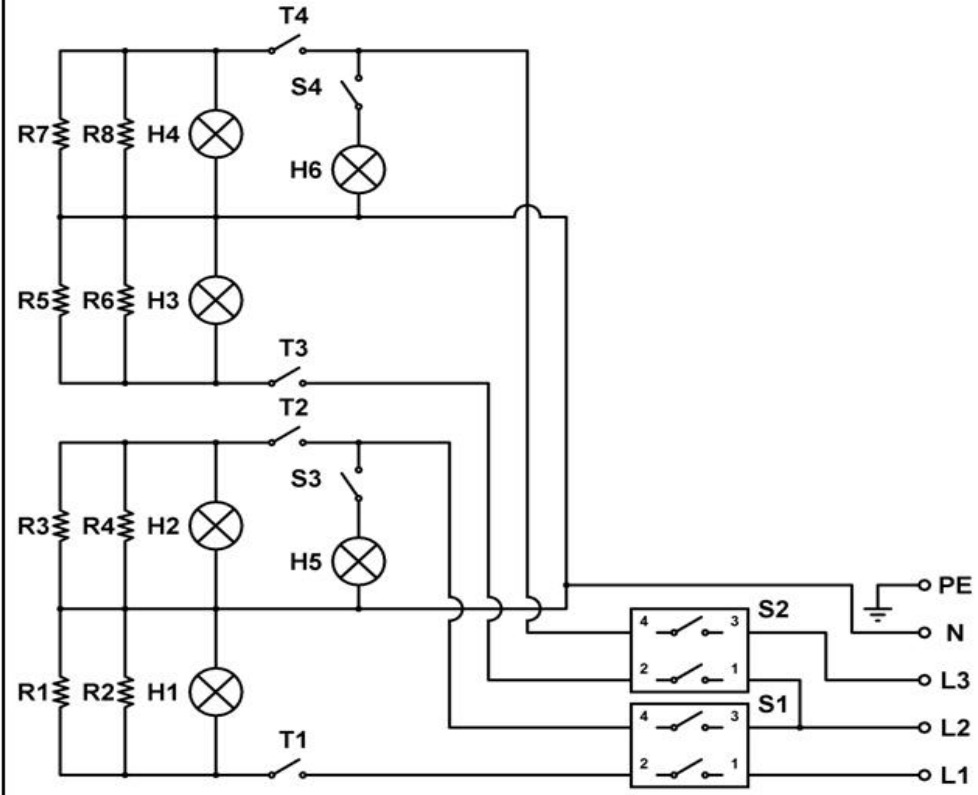
TARİH / DATE

13.08.2018

ÖLÇÜLENDİRME
MEASUREMENTS

SAYFA NO: 3 / 4
PAGE NO.: 3 / 4

PF 7070 DE PİZZA FIRINI - ELEKTRİK ŞEMASI
PF 7070 DE PIZZA OVEN - ELECTRICAL DIAGRAM



NO	AÇIKLAMA / DESCRIPTION	NO	AÇIKLAMA / DESCRIPTION
R1 ... R12	Rezistans / Resistance (1250 W)	T1 - T2 - T3 - T4	Termostat / Thermostat (85 - 455 °C)
H1 - H2 - H3 - H4	Termostat Kontrol Lambası Thermostat Control Lamp	S1 - S2	İki Fazlı Pako Şalter Two Phase Interruption Switch
H5 - H6	İç Aydınlatma Lambası Interior Lighting Lamp (25W)	S3 - S4	Aydınlatma Anahtarı Lighting Switch (T125 16A)



ÜRÜN ADI / PRODUCT

PF 7070 DE

TARİH / DATE

13.08.2018

ELEKTRİK ŞEMASI
ELECTRICAL DIAGRAM

SAYFA NO: 4 / 4
PAGE NO.: 4 / 4