

PE 44 DE



Dış Ölçüler	950 x 780 x 715 mm.	Outside Dim.	950 x 780 x 715 mm.
İç Ölçüler	2 x 620 x 620 x 150 mm.	Inside Dim.	2 x 620 x 620 x 150 mm.
Pişirme Alanı	2 x 4 ad. Ø 30 cm.	Baking Arena	2 x 4 pcs. Ø 30 cm.
Pişirme Taşı Ölçüleri	2 x 615 x 610 x 17 mm.	Baking Stone Dim.	2 x 615 x 610 x 17 mm.
Termostat Aralığı (°C)	85 - 455 °C (4 ad. Bağımsız)	Thermostat Interval (°C)	85 - 455 °C (4 pcs. Independent)
Aydınlatma	2 ad. 25 W.	Illumination	2 pcs. 25 W.
Toplam Elektrik Gücü (kW)	8 x 1,25 kW = 10 kW.	Total Power (kW)	8 x 1,25 kW = 10 kW.
Elektrik Bes. Gerilimi (V/A)	400 V 3F+N / 3 x 27 A.	Power Supply Voltage (V/A)	400 V 3F+N / 3 x 27 A.
Besleme Kablosu	5 x 4 H07RN-F	Power Supply Cable	5 x 4 H07RN-F
İç Tesisat Kabloları	SI AF 2,5 mm ²	Internal Cable	SI AF 2,5 mm ²
İzolasyon	Taş Yünü	Insulation	Rock Wool
Ağırlık	127 kg.	Weight	127 kg.

NO.	AÇIKLAMA	DESCRIPTION	ÜRÜN NO. / ITEM NO	ADET / PCS.
1A	GÖVDE	MAIN BODY	PE44DE-01A	1
1B	TABAN	BASE	PE44DE-01B	1
2	YAN KAPAK	SIDE COVER	PE44DE-02	2
3	ÖN PASLANMAZ	FRONT STAINLESS	PE44DE-03	1
4	ÖN ÇERÇEVE	FRONT FRAME	PE44DE-04	1
5	ÖN KAPAK	OVEN FRONT COVER	PE44DE-05	2
5A	CAM TUTUCU	GLASS HOLDER	PE44DE-05A	4
5B	GÖZETLEME CAMI	SIGHT GLASS	PE44DE-05B	2
5C	BAKALİT	BAKELITE	PE44DE-05C	4
6	PIŞİRME KAZANI	COOKING BOILER	PE44DE-06	2
7	PIŞİRME TAŞI	COOKING STONE	PE44DE-07	2
8	BESLEME KABLOSU	FEEDING CABLE	PE44DE-08	1
9	RAKOR	FEEDING CABLE SOCKET	PE44DE-09	1
10	LAMBA	INTERIOR LIGHTING LAMP	PE44DE-10	2
10A	DUY	SOCKET	PE44DE-10A	2
10B	AMPÜL	LAMP	PE44DE-10B	2
10C	LAMBA CAMI	LAMP GLASS	PE44DE-10C	2
11	ELEKTRİK MONTAJ PANOSU	ELECTRICAL MOUNTING PANEL	PE44DE-11	1
12	PANEL	PANEL	PE44DE-12	1
13	İÇ AYDINLATMA ANAHTARI	INTERIOR LIGHTING BUTTON	PE44DE-13	2
14	İÇ AYDINLATMA ANAHTARI KORUMASI	INTERIOR LIGHTING BUTTON PROTECTION	PE44DE-14	2
15	TERMOSTAT KONTROL LAMBASI	THERMOSTAT CONTROL LAMP	PE44DE-15	4
16	TERMOSTAT DÜĞMESİ	THERMOSTAT BUTTON	PE44DE-16	4
17	TERMOSTAT	THERMOSTAT	PE44DE-17	4
18	REZİSTANS	RESISTANCE	PE44DE-18	8
19	KAPAK STOP KAUCUĞU	COVER STOP RUBBER	PE44DE-19	2
20	İZOLASYON	INSULATION	PE44DE-20	1
21	FİRİN AYAK	OVEN FOOT	PE44DE-21	4
22	İKİ FAZLI PAKO ŞALTER	TWO PHASE INTERRUPTION SWITCH	PE44DE-22	2
23	TERMOMETRE	THERMOMETER	PE44DE-23	2



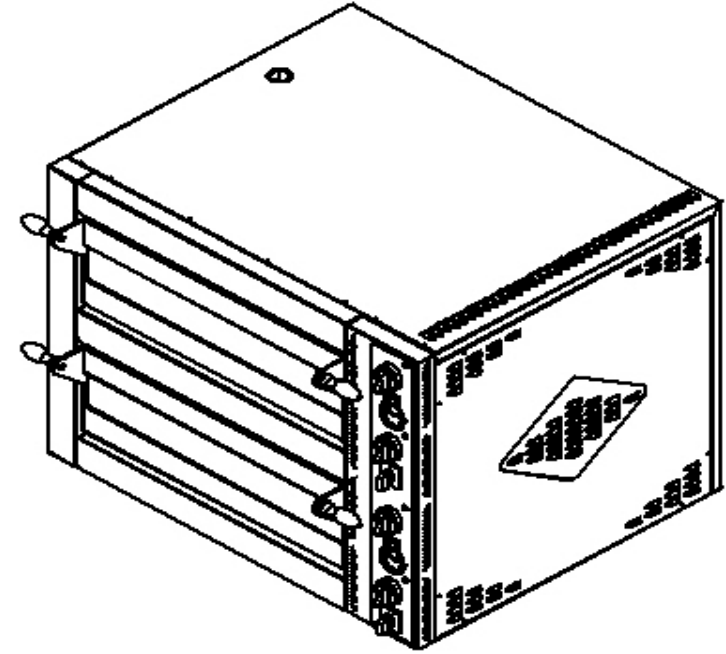
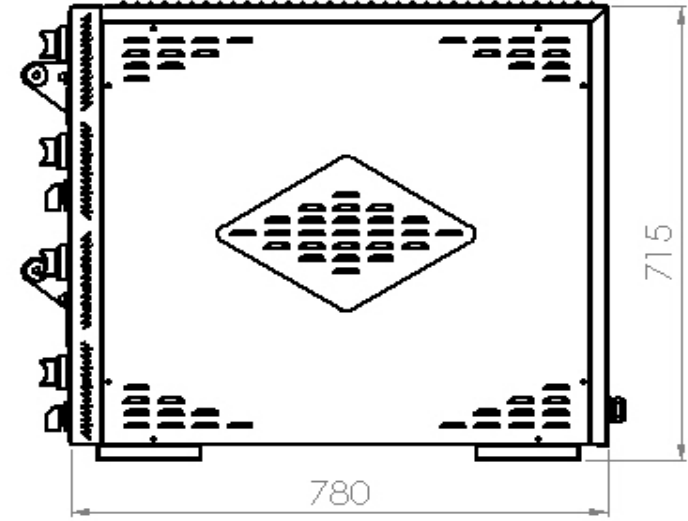
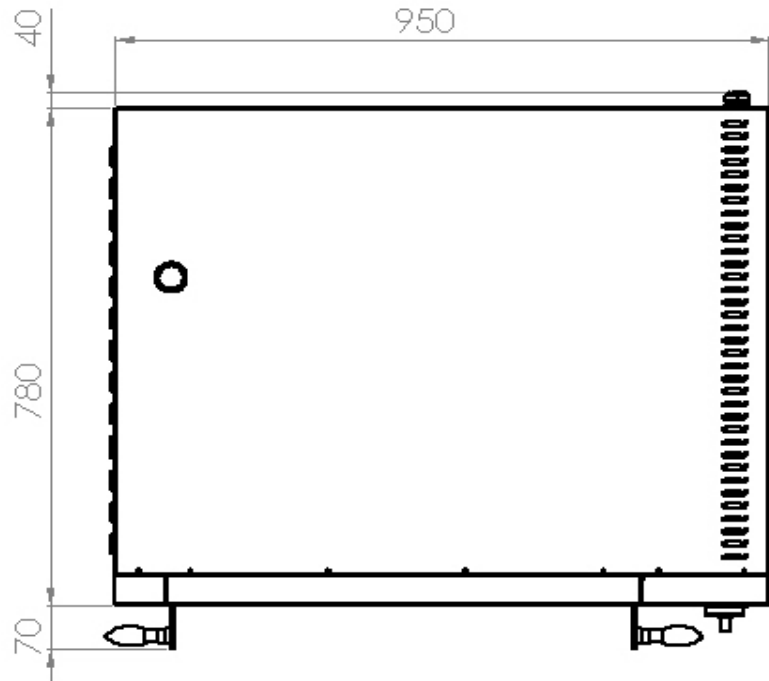
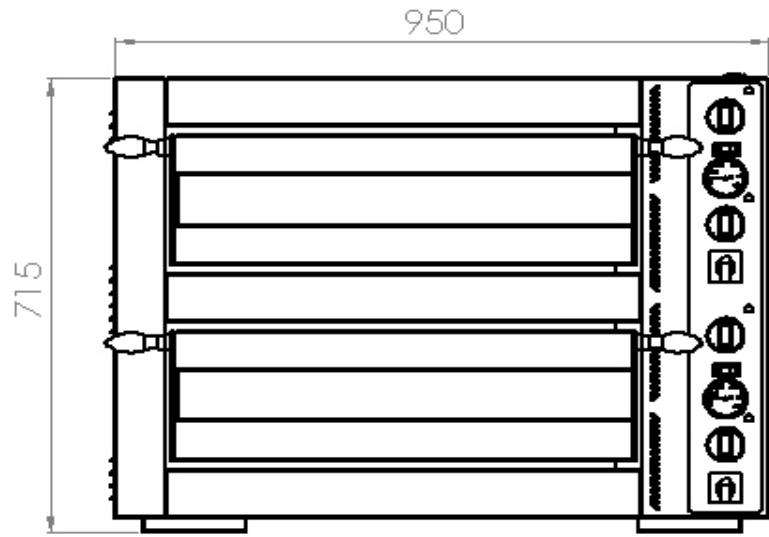
ÜRÜN ADI / PRODUCT

PE 44 DE

TARİH / DATE

13.08.2018

DETAY RESİM LİSTESİ
DETAIL PICTURE LISTSAYFA NO: 2 / 4
PAGE NO.: 2 / 4



ÜRÜN ADI / PRODUCT

PE 44 DE

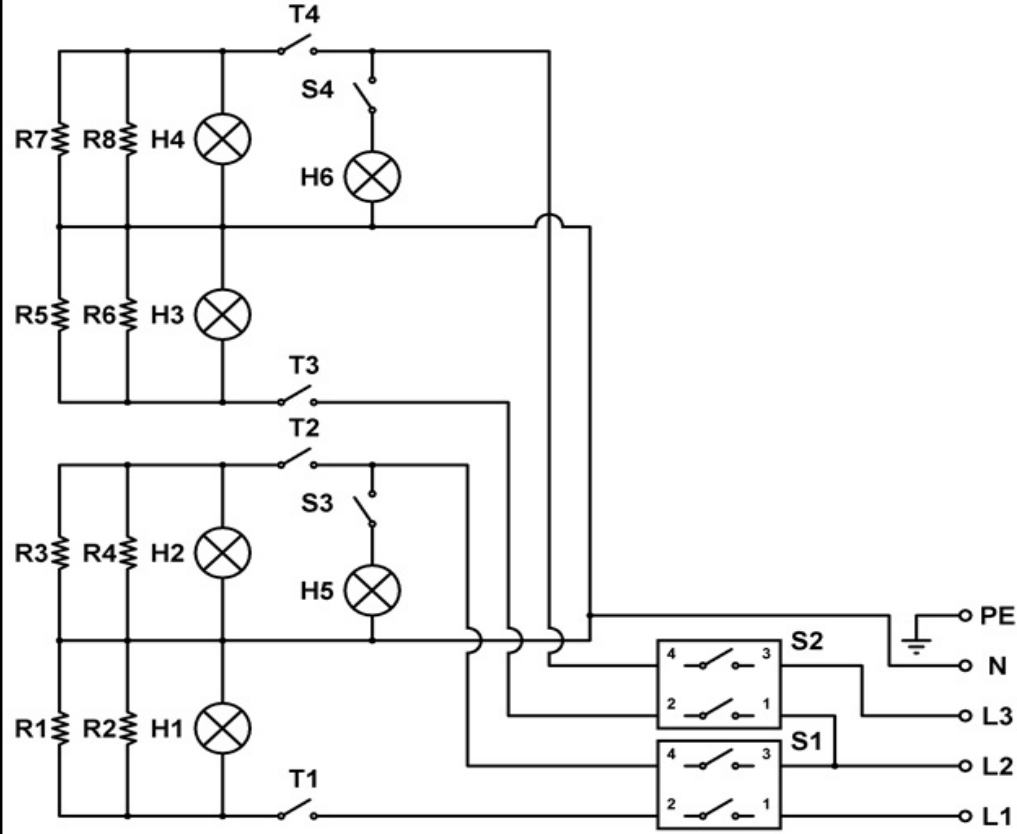
TARİH / DATE

13.08.2018

ÖLÇÜLENDİRME
MEASUREMENTS

SAYFA NO: 3 / 4
PAGE NO.: 3 / 4

PE 44 DE PİZZA FIRINI - ELEKTRİK ŞEMASI
PE 44 DE PIZZA OVEN - ELECTRICAL DIAGRAM



NO	AÇIKLAMA / DESCRIPTION	NO	AÇIKLAMA / DESCRIPTION
R1....R8	Rezistans / Resistance (1250 W)	T1 - T2 - T3 - T4	Termostat / Thermostat (85 - 455 °C)
H1 - H2 - H3 - H4	Termostat Kontrol Lambası Thermostat Control Lamp	S1 - S2	İki Fazlı Pako Şalter Two Phase Interruption Switch
H5 - H6	İç Aydınlatma Lambası Interior Lighting Lamp (25W)	S3 - S4	Aydınlatma Anahtarı Lighting Switch (T125 16A)



ÜRÜN ADI / PRODUCT

PE 44 DE

TARİH / DATE

13.08.2018

ELEKTRİK ŞEMASI
ELECTRICAL DIAGRAM

SAYFA NO: 4 / 4
PAGE NO.: 4 / 4